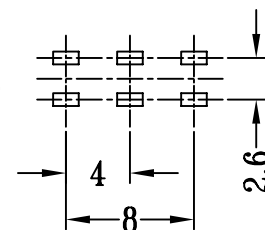
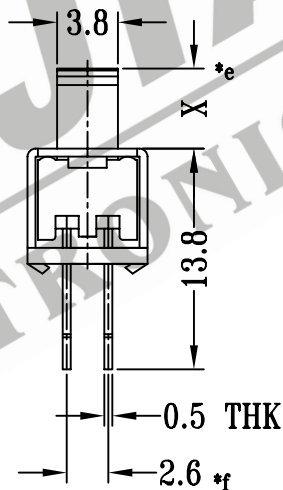
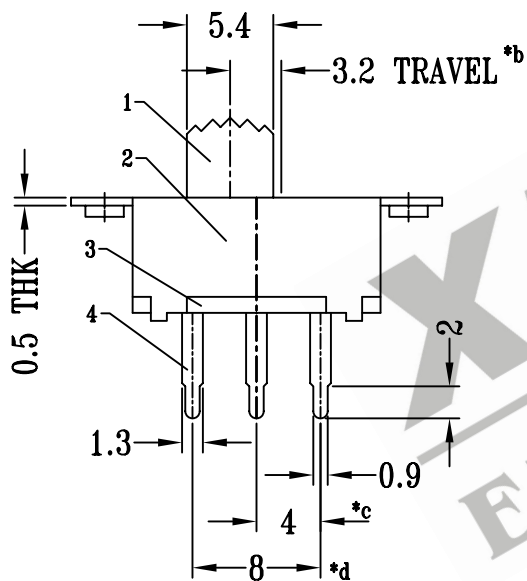
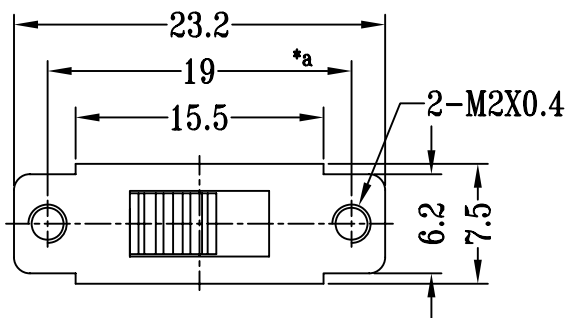
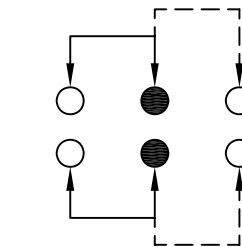


CAD FILE:



P.C.B LAYOUT



SCHEMATIC (NON-SHORTING)

注:带"\*"表示关键尺寸(6个)

					TOLERANCE UNLESS SPECIFIED	SHENZHEN XIEJIA ELECTRONICS CO.,LTD.				
					WITHIN: 1.5±0.1mm OVER : 1.5±0.2mm	ISSUE	DATE	DESCRIPTIONS		APPD.
8										
7										
6	SPRING	STEEL WIRE	2	TEMPER						
5	CONTACT CLIP	BRASS STRIP	2	Ag PLATED						
4	TERMINAL	BRASS STRIP	6	Ag PLATED OVER Ni PLATED	TITLE : VERTICAL SLIDE SWITCH	UNIT : MM		DRWG NO.: XJ-DR-SS22F69-00		
3	BASE	PHENOLIC RESIN	1	BLACK		SCALE: 2 : 1		DWN.	ZHOUYU	2004-9-27
2	FRAME	STEEL STRIP	1	BLACK	MODEL: SS-22F69			CHK'D	FANGYING	2004-9-27
1	KNOB	POM	1	BLACK				APPD.	KANGXINAN	2004-9-27
NO.	PART NAME	MATERIAL	Q'TY	FINISHING	ALL MATERIALS MUST BE COMPLIANT TO ROHS					